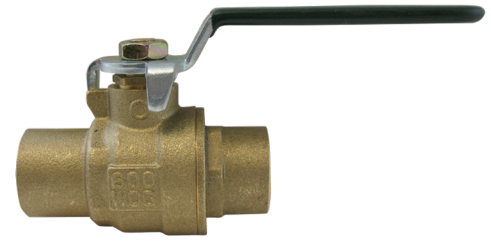


SUBMITTAL DATA SHEET

No-Lead Ball Valves Full Port Ball Valve - 72032S

Inlet: Copper Sweat x **Outlet:** Copper Sweat



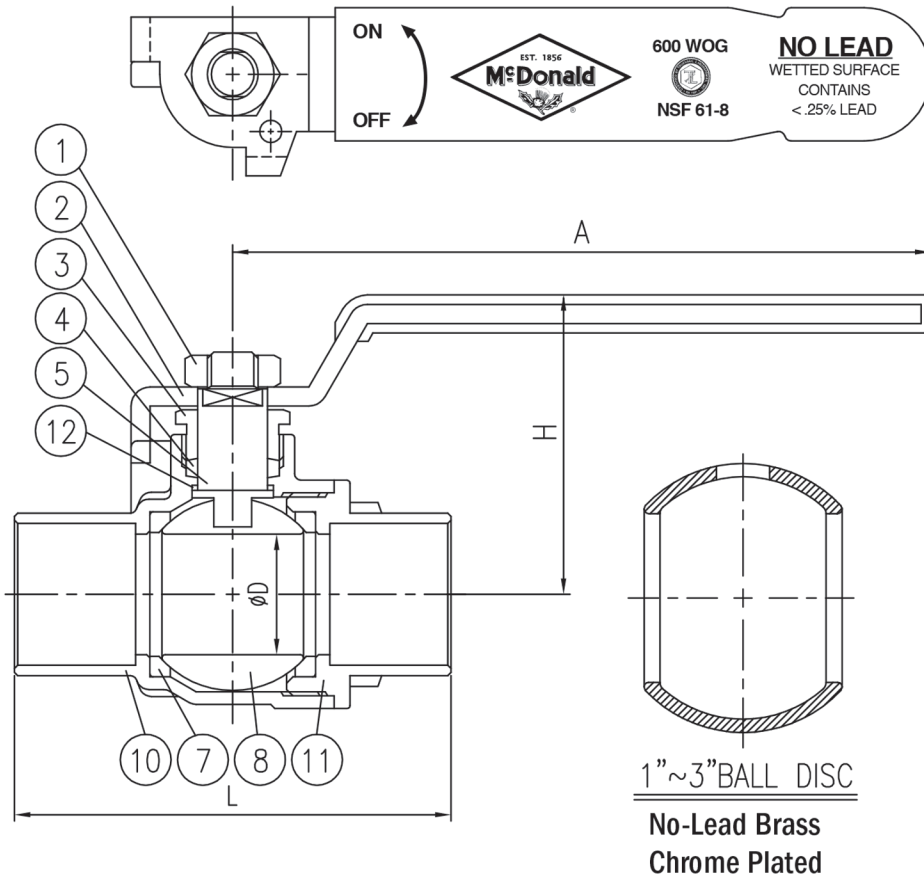
A.Y. McDonald Mfg. Co. No-Lead Full Port Ball Valves are constructed from heavy duty no-lead brass and are designed for use in potable water systems. Full port valves allow for maximum flow with minimum pressure drop.

Dimensions

Size	L	H	D	A
3/8"	1.61	1.46	.39	3.15
1/2"	1.93	1.50	.50	3.15
3/4"	2.72	1.85	.75	4.33
1"	3.31	2.05	.98	4.33
1 1/4"	3.78	2.36	1.26	5.12
1 1/2"	4.29	2.56	1.50	5.12
2"	5.35	3.11	1.97	7.87
2 1/2"	6.1	3.50	2.48	7.87
3"	7.08	3.85	2.95	7.87

Materials

No.	Part	Material
1	Nut	Steel
2	Handle	Steel
3	Stem Gland Screw	No-Lead Brass
4	Stem Packing	Teflon
5	Stem	No-Lead Brass
7	Ball Disc Packing	Teflon
8	Ball Disc	No-Lead Brass
9	Ball	No-Lead Brass Chrome Plated
10	Body	No-Lead Brass
11	End piece	No-Lead Brass
12	Washer	Teflon



SUBMITTAL INFORMATION

- 600 WOG
- Sizes: 1/2", 3/4", 1", 1 1/4", 1 1/2", 2", 2 1/2", & 3"
- Blow out proof stem

- Manufactured to MSS-SP-110
- Solder ends comply to ANSI B16.18
- NSF/Ansi 61-8, Annex F & G
- Complies with NSF/ANSI 372-2010



NO-LEAD: The weighted average of the wetted surface of this no-lead product contacted by consumable water contains less than one quarter of one percent (0.25%) lead.



A.Y. McDonald Mfg. Co.
P.O. Box 508
Dubuque, IA 52004-0508

Toll Free: 1-800-292-2737
Fax: 1-800-832-9296
Hours: 7:00 a.m. - 5:00 p.m., CST

sales@aymcdonald.com
www.aymcdonald.com

A.Y. McDonald considers the information on this assembly drawing correct when published. Item and option availability, including specifications, are subject to change without notice.

Submitted by: